

warmtec®

# Manual

## *INFRARED HEATER* **HT200**



V\_1\_00

## 1. CAUTION REGARDING THE SECURITY

Instructions should be carefully read before installation and retained by the user. The booklet must be kept and delivered to the new user in case of cession of the machine. The Manufacturer reserves the right to vary the features of the product without prior notice. The technical data are merely indicative.

1. This appliance is intended solely for the use it has been designed for, namely room and people heating. The Manufacturer is not responsible for any damage that could happen for improper use.
2. After unpacking make sure that the appliance is complete and shows no signs of visible damage or tampering.
3. Keep packing materials, which are potential dangers, away from children.
4. The device can be used by children at least 8 years (as well as by persons with reduced physical, sensory or mental capabilities, or lack of experience or required knowledge) provided that they are under surveillance, or after they have been instructed relating to the safe use and have understood the potential dangers. Children should not play with the appliance. Cleaning and maintenance must be performed by the user and not by unsupervised children.
5. Children of less than 3 years should be kept away unless continuously supervised.
6. Children aged from 3 years and less than 8 years shall only switch on/off the appliance provided that it has been placed or installed in its intended normal operating position and they have been given supervision or instruction concerning use of the appliance in a safe way and understand the hazards involved.
7. Children aged from 3 years and less than 8 years shall not plug in, regulate and clean the appliance or perform user maintenance.
8. This appliance is not intended for use by persons (including children) with reduced physical, sensory or mental capabilities, or lack of experience and knowledge, unless they have been given supervision or instruction concerning use of the appliance by a person responsible for their safety.

9. Children should be supervised to ensure that they do not play with the appliance.
10. This heating appliance does not feature a device to control ambient temperature. Do not use it in small rooms used by people who are unable to leave such rooms on their own unless they are under constant surveillance.
11. Before inserting the plug make sure that the voltage is the same as indicated on the device.
12. Do not use in presence of gas, inflammable or explosive liquids or substances.
13. Some fundamental rules which apply to all electrical devices must be observed when using the heater:
  - Do not touch the heater with wet hands.
  - Do not handle with bare feet.
  - Do not pull the electric cord or the device itself to unplug it from the socket; pull the plug directly.
14. Avoid the use of an extension cord with this product, because the extension cord may overheat and cause a risk of fire.
15. Do not apply any modification to the product that could compromise the safety.
16. Keep connections dry.
17. If the appliance is not used for a long period, disconnect it from the power supply.
18. Always disconnect the appliance before doing any maintenance operation.



Some parts of the appliance may become hot and cause burns. Caution should be exercised if there are children and vulnerable people.

## 2. CAUTION REGARDING THE INSTALLATION OF THE APPLIANCE

Installation should always be carried out by a qualified electrician or a competent person in accordance with the standards HD 384 CENEL - EC for Europe, or international IEC 60346-7-708 1988, and the standard AS/NZS 3000 (Australian wiring rules). The energy supply must be done through a properly grounded socket. The appliance must be connected to the power supply by a H05RN-F cable, gotten properly into dimension in respect to its own length and the kind of the connection (see the Table 1).



An overvoltage category III Combined Circuit breaker and Residual Current Device (RCD) with rated earth leakage operation not exceeding 30mA must be fitted upstream on the supply line. The circuit breaker must have a contact opening distance of at least 3 mm.

Model	HT200
Power supply	220-240V ~ 50-60Hz
Total power	2000 W
Current	9 A
Cable H05RN-F (min.section)	3 x 1.5 mm <sup>2</sup>

(\*) Cable minimum section - per 5 m length.

**Table 1**



The HT200 infrared heater are intended for indoor use only and must be kept away from moisture and dust.

Keep the indicated distances between the heater and the wall/ceiling (fig. 1-2-3).

- Install the heater in such a way that the lamps stay horizontally.
- A safety distance of not less than 1 m should always be left in front of the heater.
- The appliance must not be located neither directly below, nor in front of a socket-outlet.
- Do not use the heater directly near a bathtub, a shower, a swimming pool.
- Ensure that the power cable cannot come into contact with the reflector of the appliance and does not intrude into the area of light flux.
- Ensure that there is no possibility of inflammable material, combustible material or curtains coming into contact with the Heater, or lie near the heater.

#### Wall mounting using the bracket (provided)



Make sure that the wall where you plan to mount the appliance is solid, and free of electrical cables or water pipes in side.

This heater is intended for permanent installation. Be sure that the heater is not facing the ceiling or inflammable substances.

Fasten the bracket to the wall by means of 2 dowels at least, passing through the **A** holes (fig. 1). Use the **B** holes just as reference (fig. 1). The heater can be angled on its bracket in correspondence to the **C** screw, and the modules can be pointed in correspondence to the **D** couplings (fig. 2 ). When the adjustment has been made, tighten all the screws.

### Ceiling mounting with chains (not provided)

Fasten the chains (having an appropriate length) to the ceiling, and hook them to the heater in correspondence of all the four **E** holes by means of the "S" shaped rings enclosed inside the packaging.

## 3. TECHNICAL FEATURES

Model	HT200
Power supply	220-240 V ~ 50-60 Hz
Power	1 x 2000 W
Lamps	1
Range	9-12 m <sup>2</sup>
Weight	2.2 kg

**Table 2**

## 4. USE INSTRUCTIONS

The Industrial infrared heater was designed for zone heating on large premises. Production departments, churches, gymnasiums are ideally application sites. With high efficiency on heating from long distance, a compact size and a light weight a wide range on installation can be easy made. The comfort is immediate, no preheating is necessary and this can give a large cost saving on wide air volume

or where there is discontinuous presence. The radiant heating give a pleasant comfort and the absolute silence is assured without moving parts. Without air movements there isn't the spreading of particles or dust.

- Switch on the heater simply by connecting to the power supply.
- Do not touch the metallic parts when the heater is working.
- Ensure that the rays of the heater are directed towards the area it is wished to heat. If necessary, change the angle of inclination by loosening the screws of the support or the modules.
- In unoccupied premises it is recommended that the heating system is switched off by disconnecting from the electrical supply.



**Avoid exposing skin to the rays of the appliance for distances less than 50 cm.**

**Avoid exposing eyes to the rays of the appliance for distances less than 2.70 m.**

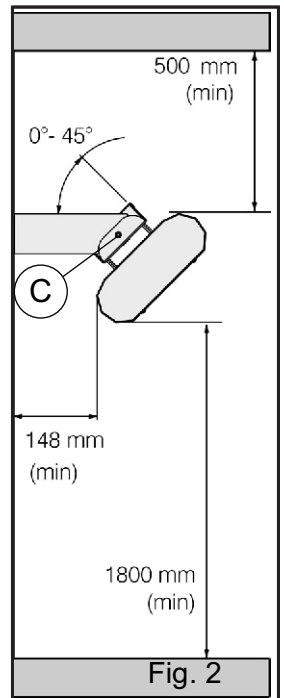
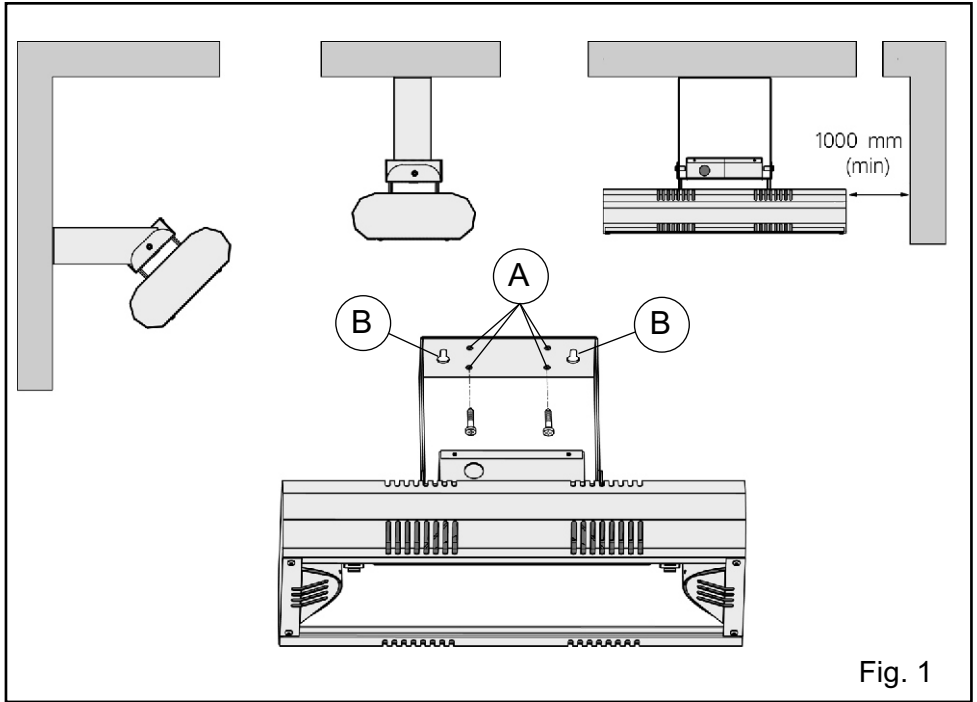
**All users should be made aware of all aspects of operation and safety and these instructions should be retained for reference.**

## **5. MAINTENANCE**

The IR Industrial Heaters contain no moving parts and therefore very little maintenance is required other than to ensure that there is no excessive build-up of dust/dirt on the reflectors or emitters as this can cause overheating and premature emitter failure. To clean the appliance, wipe off with a damp cloth. Wait until it is completely dry before connecting to the power supply.

## **6. EMITTER REPLACEMENT**

The emitters used in the IR heater are robust and if knocks and shock vibrations are avoided, they will last for around 3000 hours. They should be substituted even before if there are signs of aging. Due to the special sealing and anti-shock design of the heater, the emitters are not intended to be user replaceable. Please ensure that all emitters are replaced via the WARMTEC service network.





WARMTEC Sp. z o.o.  
Al. Jana Pawła II 27  
00-867 Warszawa

---