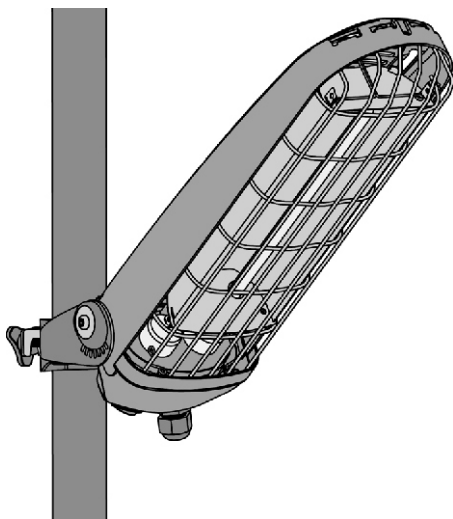


Manual

INFRARED HEATER **LC120**



1. IMPORTANT SAFETY INSTRUCTIONS

Instructions should be carefully read before installation and retained by the user. The booklet must be kept and delivered to the new user in case of cession of the machine. The Manufacturer reserves the right to vary the features of the product without prior notice. The technical data are merely indicative. In case of unsure interpretation about the contents of the manual, please contact the supplier and/or reseller.

1. This appliance is intended solely for the use it has been designed for, namely room and people heating. The Manufacturer is not responsible for any damage that could happen for improper use.
2. After unpacking make sure that the appliance is complete and shows no signs of visible damage or tampering.
3. Keep packing materials, which are potential dangers, away from children.
4. The device can be used by children at least 8 years (as well as by persons with reduced physical, sensory or mental capabilities, or lack of experience or required knowledge) provided that they are under surveillance, or after they have been instructed relating to the safe use and have understood the potential dangers. Children should not play with the appliance. Cleaning and maintenance must be performed by the user and not by unsupervised children.
5. Children of less than 3 years should be kept away unless continuously supervised.
6. Children aged from 3 years and less than 8 years shall only switch on/off the appliance provided that it has been placed or installed in its intended normal operating position and they have been given supervision or instruction concerning use of the appliance in a safe way and understand the hazards involved.
7. Children aged from 3 years and less than 8 years shall not plug in, regulate and clean the appliance or perform user maintenance.
8. Before connecting the appliance make sure that the voltage is the same as indicated on the device and the line supply is correspond-

ing to the effective rules.

9. Do not use in presence of gas, inflammable or explosive liquids or substances. Defined in BS5345.
10. Some fundamental rules which apply to all electrical devices must be observed when using the heater:
 - Do not touch the heater with wet hands.
 - Do not handle with bare feet.
 - Do not pull the electric cord or the device itself to unplug it from the socket; pull the plug directly.
 - Do not let children play with the electrical appliance.
11. Avoid the use of an extension cord with this product, because the extension cord may overheat and cause a risk of fire.
12. Do not apply any modification to the product that could compromise the safety.
13. Keep connections dry.
14. If the power supply cord is damaged, avoid to use the appliance. For power cord replacing, please contact the manufacturer or the technical service or a person with similar qualification, in order to avoid any risk.
15. If the appliance is not used for a long period, disconnect it from the power supply.
16. Always unplug the appliance before doing any maintenance operation.



CAUTION — Some parts of this product can become very hot and cause burns. Particular attention has to be given where children and vulnerable people are present.

2. ELECTRICAL INSTALLATION



The installation should always be carried out by a qualified electrician or a competent person in accordance with the current electrical standards.

The energy supply to the heater must always be properly earthed.

The appliance must be connected to energy supply line by means of the provided H05SS-F silicone cable.

An overvoltage category III Combined Circuit breaker and Residual Current Device (RCD) with rated earth leakage operation not exceeding 30mA must be fitted upstream on the supply line. The circuit breaker must have a contact opening distance of at least 3 mm.

If the supply line where the heater is connected is protected by fuses, be careful they are 16 A not quick-acting type.

- The heaters should always be installed only using the mounting brackets provided or supplied as fittings.
- A minimum air gap of 40 cm should always be allowed between the top of the heater and a ceiling or roof. The appliance should be 60 cm far from the walls (fig. 1).
- A safety distance of not less than 100 cm should always be left in front of the LC120 heaters or too near.
- This unit should be mounted at a minimum of 180 cm above ground level (fig. 1). If installed in a toilet, the height should be 225 cm in zone 1 and zone 2; in zone 3 the minimum above ground level is 180 cm, according with the rules of each Country.
- The appliance must not be located neither directly below, nor in front of a socket-outlet.
- The heater must be installed so as to prevent that the switches can be touched from those who are in the shower.
- Ensure that there is no possibility of inflammable material, combustible material or curtains coming into contact with the heater, or lie near the heater.
- If the heater is fastened to a patio umbrella or similar, be sure that neither the sheet nor other floating parts can inadvertently enter into the range of the emitters.
- If the heater is fastened to a patio umbrella, let it touch the sheet only after 5 minutes after its switching off.
- The heaters are fitted with safety guards. These are intended only to stop large objects from hitting the emitters. On no account

should the heater be operated with the guard removed.

- All the heaters are fitted with switch and high temperature silicone rubber flexible cable (H05 RN-F) conforming to BS 6500.
- The product is in class I and IP65, which is the protection rate for the units to be used even outdoor. For keeping the protection rate of the appliance, the connection of the appliance with the power supply must be done by means of a minimum IP65 system, as per the standards HD 384 CENELEC for Europe, or international IEC 60346-7-708 1988.

3. LOCATION



While fastening the appliance to the wall or to the upright, be careful that the slots (fig. 2-D) of the bracket be at the bottom.

The LC120 range of heaters is deliberately designed to be very flexible in the choice of position. There are two basic options:

- **Wall mounting bracket** (fig. 3). Before drilling the holes for the dowels, be sure that the wall is solid and that you are far from water tubes or electrical wires. For fixing the appliance at the wall, drill 3 holes with a 5 mm diameter bit and fix the wall bracket (fig. 2-A) that you find in the box by proper dowels and screws, ensuring that the slots (fig. 2-D) be at the bottom. Then adjust the angle of the appliance; at last make it firm tightening the sideward screws (fig. 2-C).
- **Mounting on upright** (fig. 4) or **patio umbrella**. The appliance can be fastened to a upright or to the ribs of a patio umbrella, by the optional upright bracket (fig. 2-B). The section of the upright or the ribs can be circular with diameter between 20-45 mm, or square with side between 18-33 mm. Before tightening the 2 rear knobs to fasten the bracket, ensure that the slots (fig. 2-D) be at the bottom. Then adjust the angle of the appliance; at last make it firm tightening the sideward screws (fig. 2-C).



Before fixing the appliance on the upright, please ensure that it is stable and solid. Preferably, use the Tripod that can be ordered as accessory. In case the Tripod is used, its feet must

be opened as far as the white evidenced line on the interior line on the inferior tube reaches the junction of the feet. Fix the feet to the ground in a proper way, and then fix the upright to the ground using the chain.

Ensure that the supply cable is well mounted and that it does not come into contact with the reflector of the heater or that it does not trail into the heated area. Be sure that the heater is not facing the ceiling or inflammable materials.

BLOCKING THE ANGLE

If the blocking button is positioned with its solid part at the low side (fig. 2-E), the appliance is locked, and the angle setting is prevented. Vice versa if the blocking button is positioned with its solid part at the high side (fig. 2-F) is still possible to adjust the angle of the appliance (in this case tighten the sideward screws powerlessly).

4. USE

The Warmtec LC120 has a 1200 W.

The essential element of the heater is the halogen filled quartz lamp with a tungsten element. The heater operates at full output almost immediately. The heating reaches a distance of about 2 meters in front of the appliance.

This heating appliance does not feature a device to control ambient temperature. Do not use it in small rooms used by people who are unable to leave such rooms on their own unless they are under constant surveillance.



Avoid exposing skin to the rays of the appliance for distances less than 50 cm.

Avoid exposing eyes to the rays of the appliance for distances less than 2.70 m.

All users should be made aware of all aspects of operation and safety and these instructions should be retained for reference..

Switch on heater and confirm that emitter is operating. Ensure that the heater is aiming its warmth into the target area by adjusting heater angles as necessary, loosening the sideward screws (fig. 2-C) and

choosing the proper slot (fig. 2-D) for fixing. Tighten the screws at the end.

Do not use the heater directly near a bathtub, a shower, a swimming pool. In unoccupied premises it is recommended that the heating system is switched off and isolated from the electrical supply.

5. MAINTENANCE

Warmtec LC120 heaters contain no moving parts and therefore very little maintenance is required other than to ensure that there is no excessive build-up of dust/dirt on the reflectors or emitters as this can cause overheating and premature emitter failure (in case, contact the Technical Assistance Service).

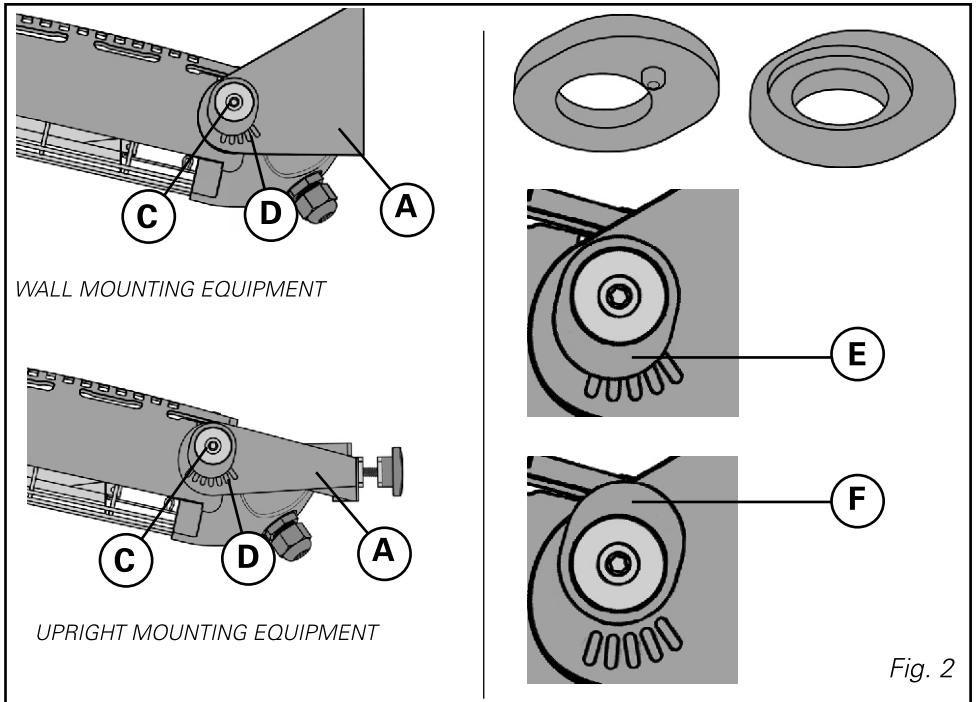
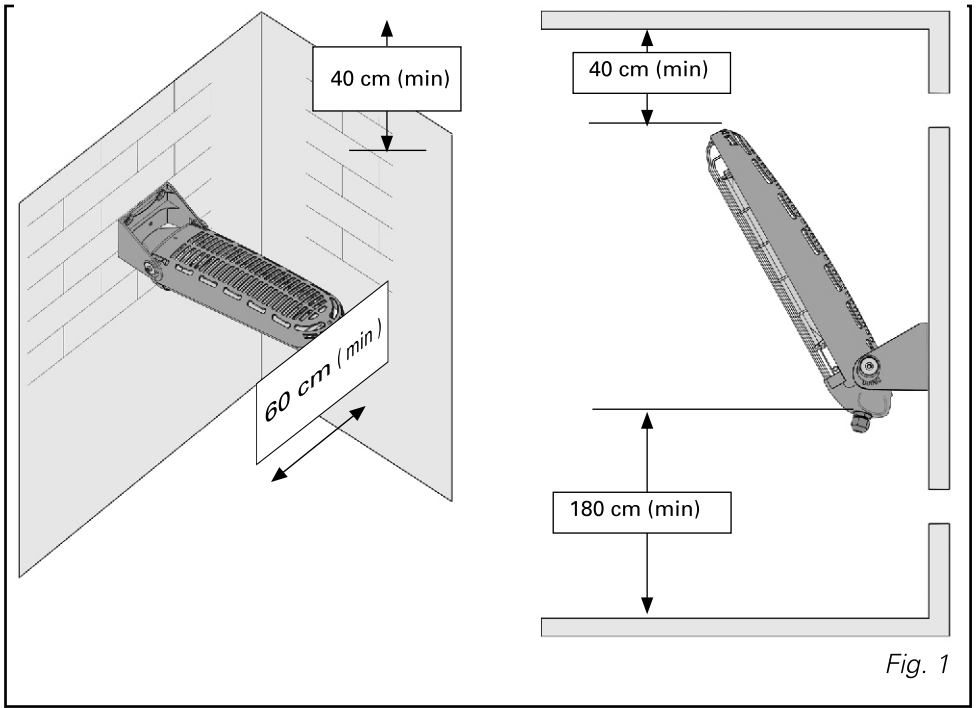
The accumulation of limestone or incrustations reduces the life and the efficiency of the lamp; it is suggested therefore to avoid the continued use in presence of water or salt fog. Eventual leavings of salt water will have to be removed before the use, after having disconnected the appliance, by means of soak in sweet water.

6. EMITTER AND SILICON BUMPERS REPLACEMENT

The emitter lasts for around 5000 hours. When changing the lamp, also the silicon bumpers connected with the lamp must be substituted. They should be substituted even before if there are signs of aging. Due to the special sealing and anti-shock design of the heater, the emitters are not intended to be user replaceable. Please ensure that all emitters are replaced via the Warmtec service.

7. TECHNICAL FEATURES

Power supply	230 V ~50Hz
Power	1200 W
Insulation Class	I
Protection Level	IP65
Lamp	Quartz - tungsten wire
Lamp life (hours)	5000
Emission	IR-A
Range (m ²)	5 - 6
Weight (kg)	1
Dimensions (mm)	470x132x90



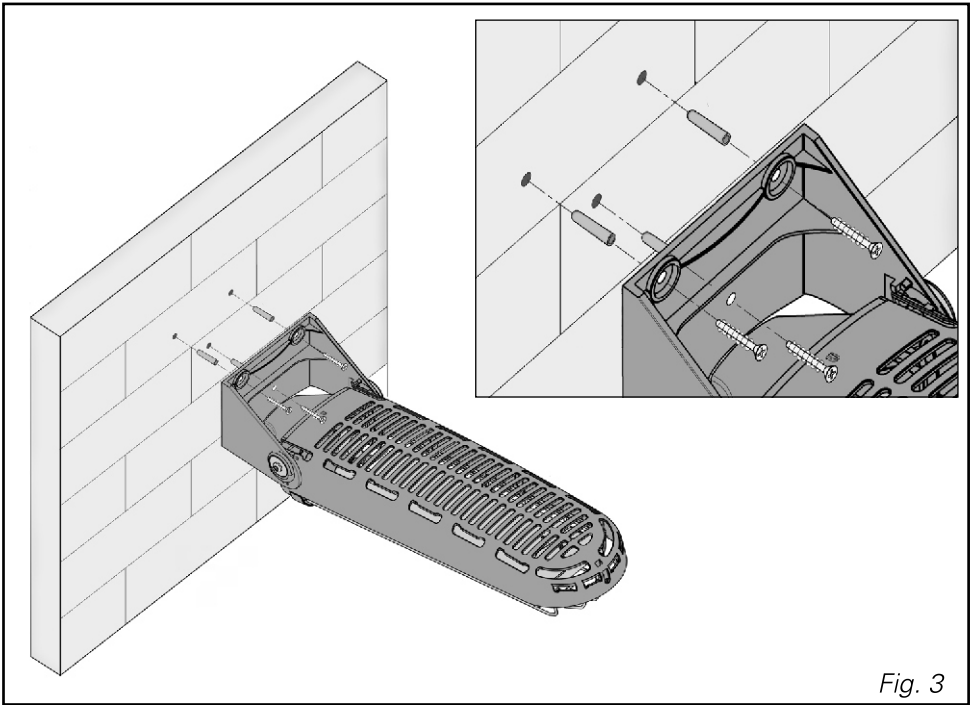


Fig. 3

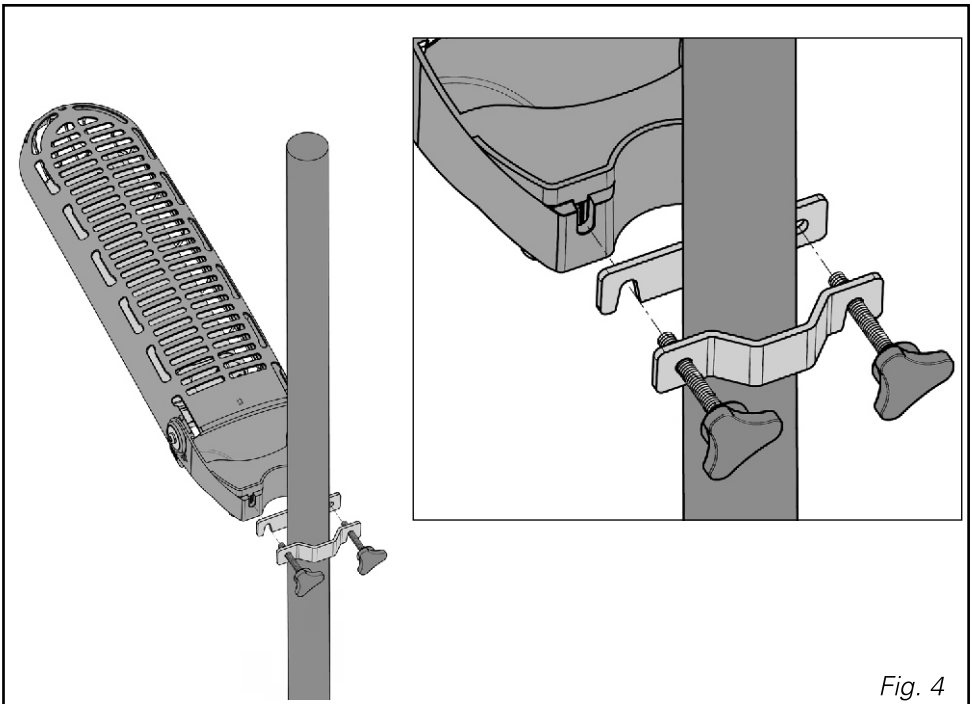


Fig. 4

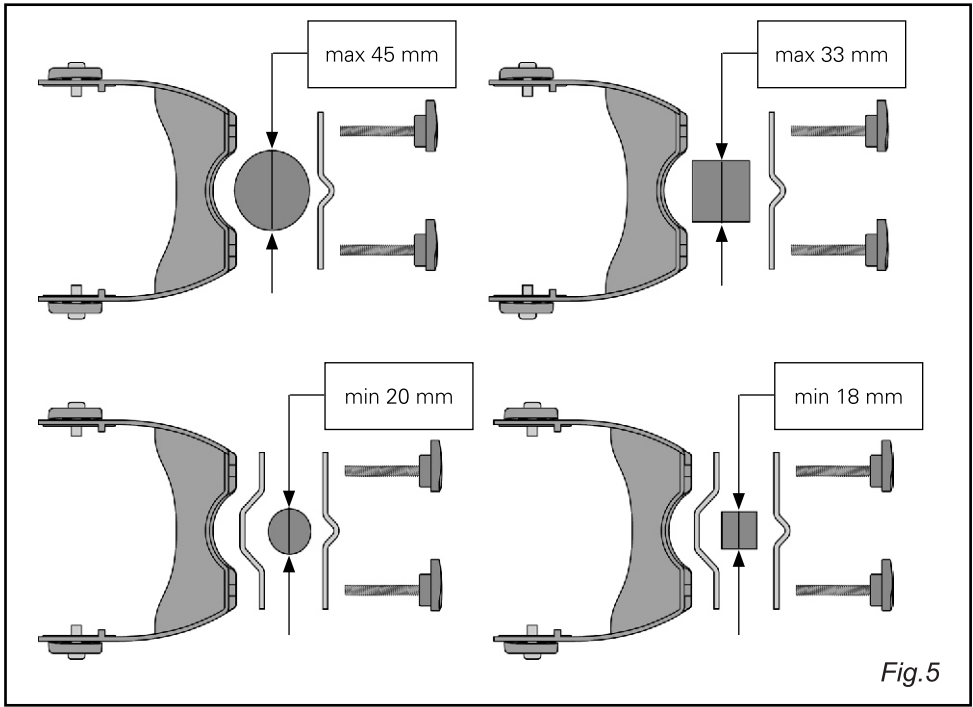


Fig.5



WARMTEC Sp. z o.o.
Al. Jana Pawła II 27
00-867 Warszawa
